



US00D550110S

(12) **United States Design Patent** (10) **Patent No.:** **US D550,110 S**
Kesselman (45) **Date of Patent:** **** Sep. 4, 2007**

(54) **MATCHBOX SIZED SCALE**

(57) **CLAIM**

(76) Inventor: **Joshua D. Kesselman**, 1580 Rand Avenue, Vancouver, BC (CA) V6P 3G2

The ornamental design for a a matchbox sized scale, as shown and described.

(**) Term: **14 Years**

DESCRIPTION

(21) Appl. No.: **29/278,345**

FIG. 1 is a front right perspective view of a matchbox sized scale hereof fully enclosed within its case;

(22) Filed: **Mar. 27, 2007**

FIG. 2 is a top view of the matchbox sized scale hereof fully enclosed within its case;

(51) **LOC (8) Cl.** **10-04**

(52) **U.S. Cl.** **D10/91**

(58) **Field of Classification Search** D10/91;
177/238-245, 210 R, 210 C, 25, 30, 25.15,
177/25.16, 25.13, 126-127, DIG. 3; 600/506,
600/547

FIG. 3 is a top view of the matchbox sized scale hereof partially removed from its case;

FIG. 4 is a bottom view of the matchbox sized scale hereof partially removed from its case;

See application file for complete search history.

FIG. 5 is a top view of the matchbox sized scale hereof fully removed and separated from its case showing both the case and the scale;

(56) **References Cited**

U.S. PATENT DOCUMENTS

D359,921 S * 7/1995 Robertson et al. D10/92
D521,887 S * 5/2006 Huang D10/91

FIG. 6 is a top front perspective view of the matchbox sized scale hereof fully removed from its case showing only the scale;

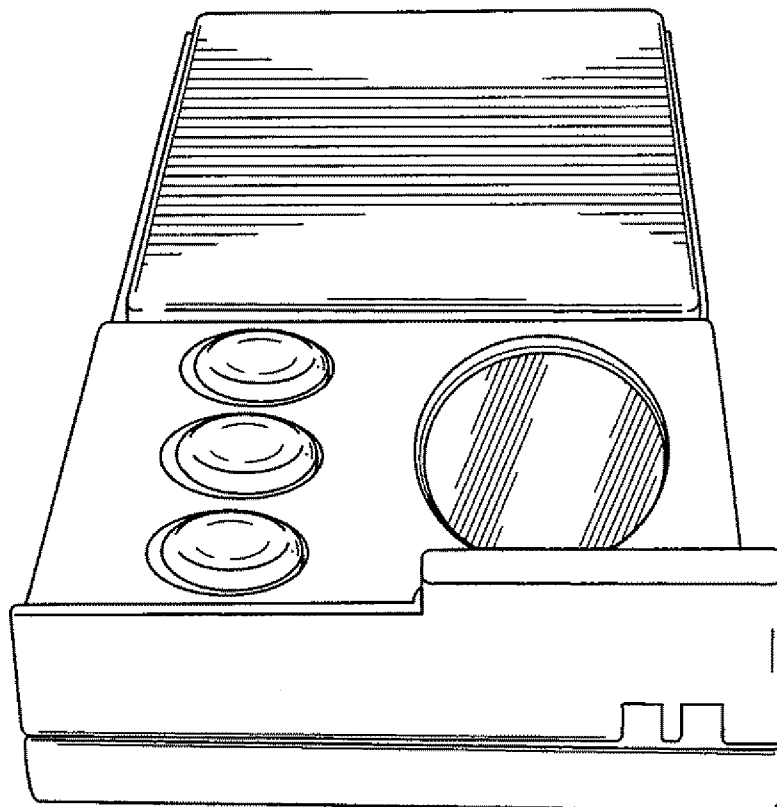
FIG. 7 is a front view of the matchbox sized scale hereof fully removed from its case showing only the scale; and,

* cited by examiner

FIG. 8 is a right side view of the matchbox sized scale hereof fully removed from its case showing only the scale.

Primary Examiner—Antoine D. Davis
(74) *Attorney, Agent, or Firm*—Christine Q. McLeod;
Beusse Wolter Sanks Mora & Maire

1 Claim, 8 Drawing Sheets



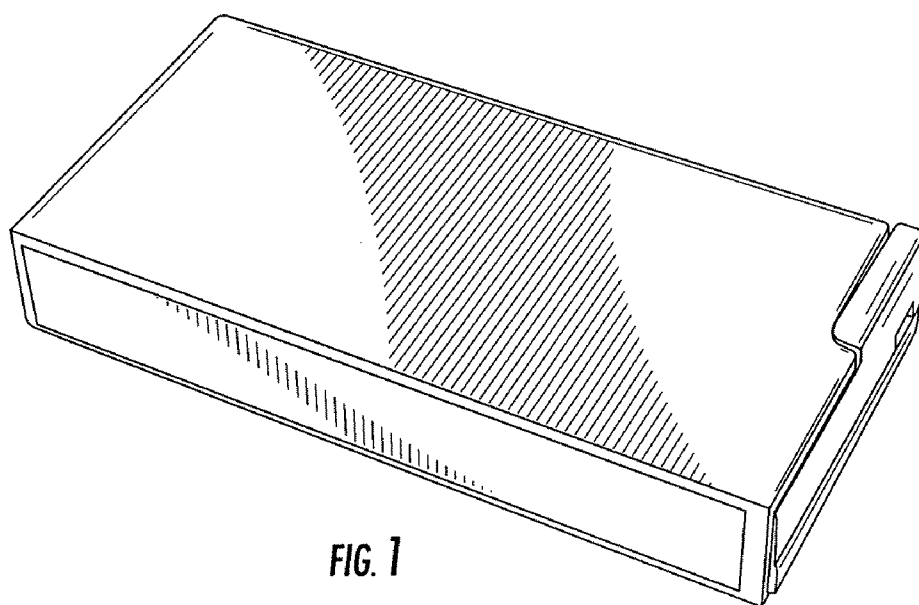


FIG. 1

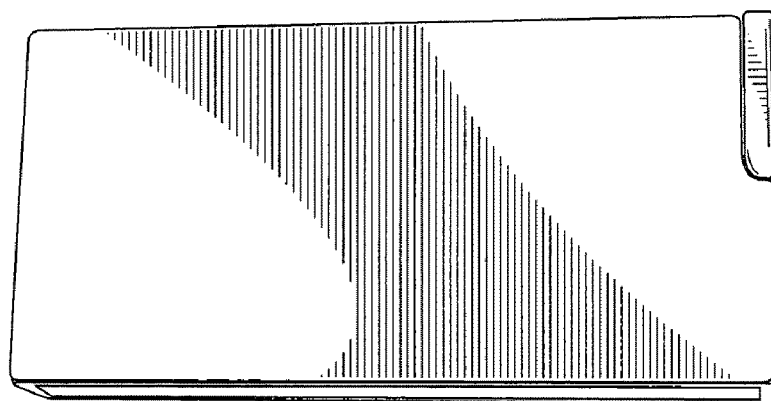


FIG. 2

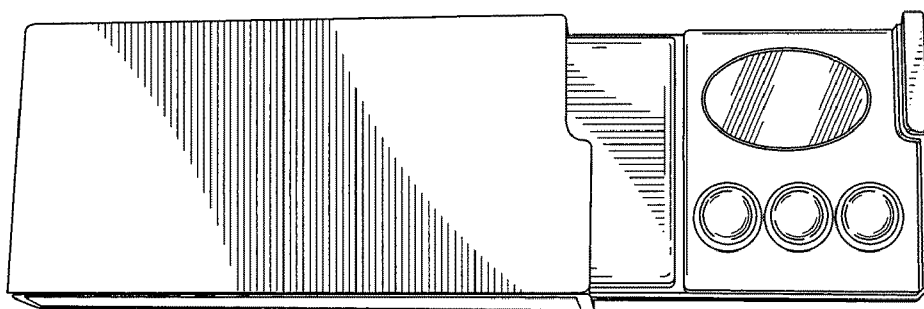


FIG. 3

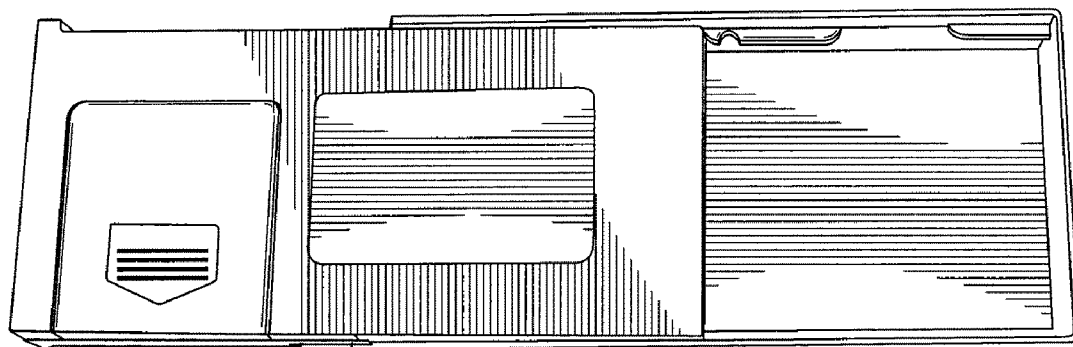
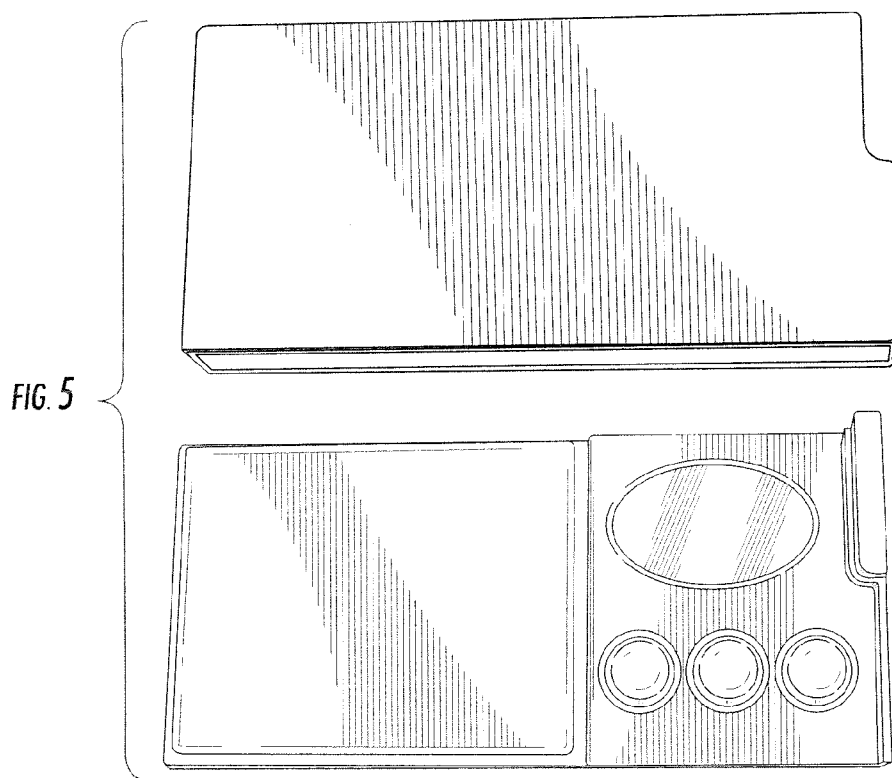


FIG. 4



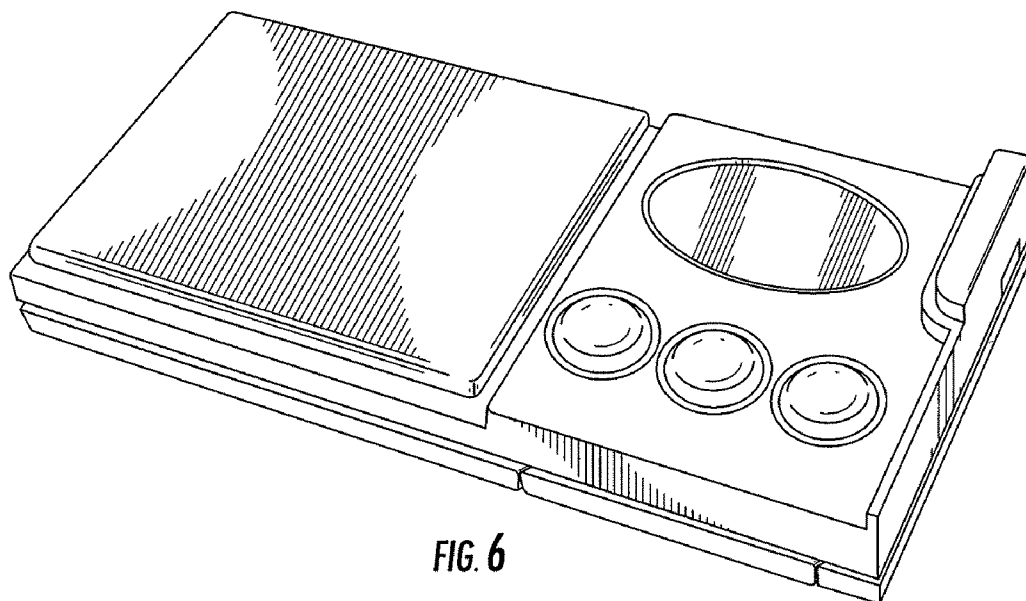


FIG. 6

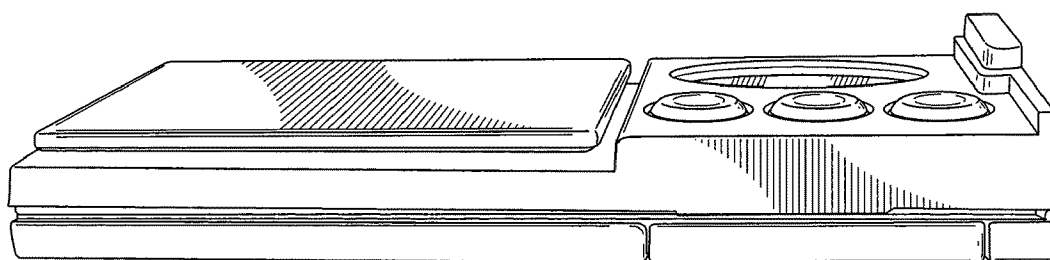


FIG. 7

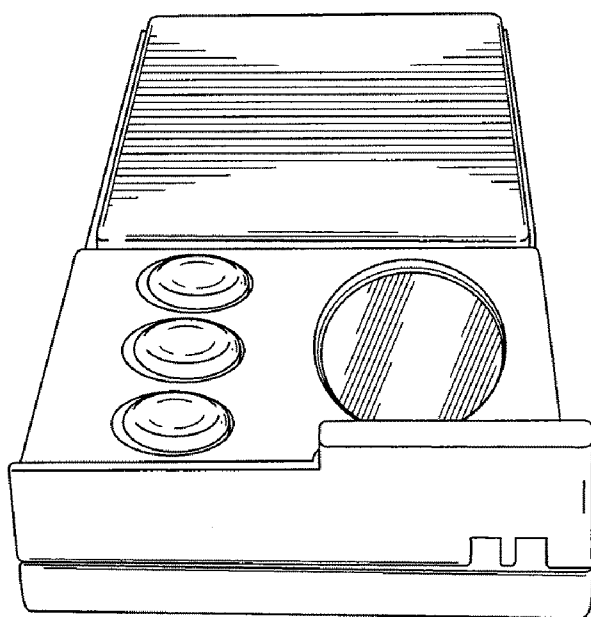


FIG. 8